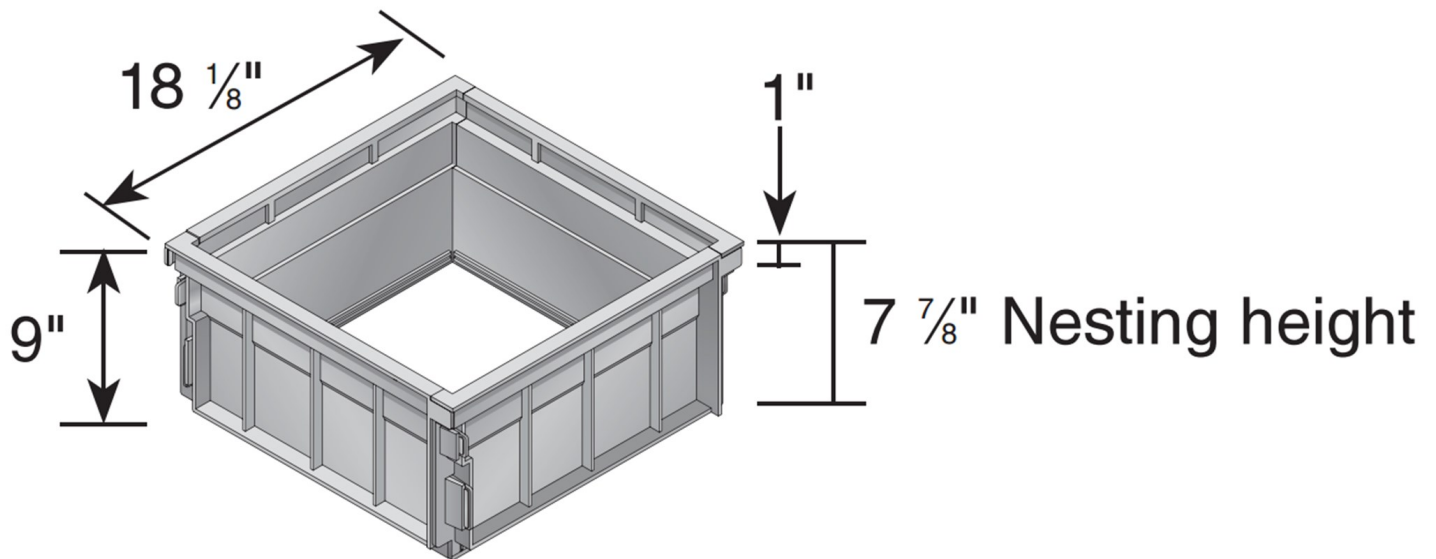


8" RISER FOR 18" CATCH BASIN



Material: Styrene

Part #1816

Weight: 5.92 lbs

Colors: Black

Fits: Use with #1800, #1804, #1882, or #1884

Connections are soil tight, requires water proof silicone to make connections water tight